
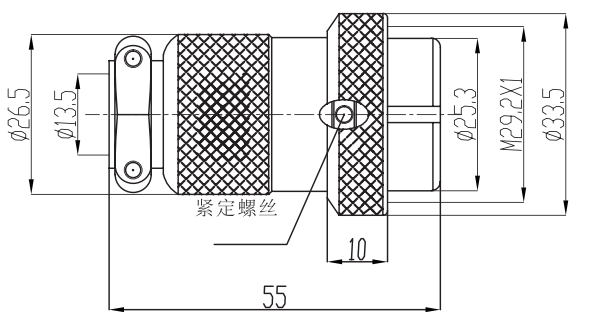
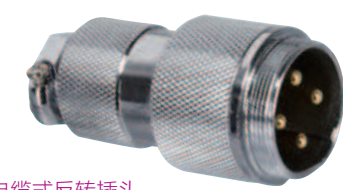
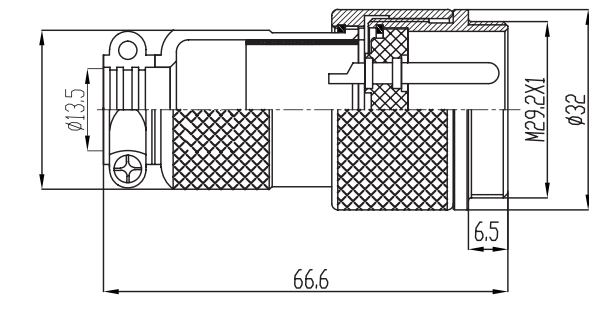


GX25F


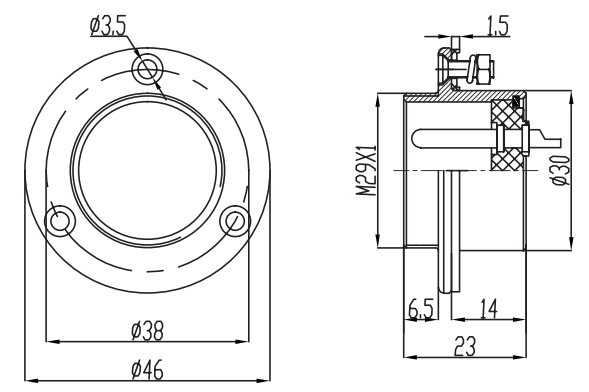
Technology Parameter 技术参数

芯数 No.Of contacts	2P	3P	4P	5P	6P	7P	8P
额定电流/电压 Rated current/voltage	15A-250V	10A-250V	10A-250V	10A-250V	7A-150V	7A-150V	7A-150V
工作电压 (AC.V)分钟 Operation limit voltage(AC.V.rms)	400	400	400	400	250	250	250
耐电压 (AC.V)分钟 Withstanding voltage(AC.V.rms) 1 minute	2000	2000	2000	2000	1500	1500	1500
绝缘阻搞(MΩ)dc 500V Insulation resistance(MΩ) at dc 500v	2000	2000	2000	2000	2000	2000	2000
接触阻抗(MΩ)dc 1a Contact resistance(MΩ) max.) at dc 51A	10	10	10	10	10	10	10
焊杯口径Φ(mm) Solder cup mouth aperture	2.4	2	2	2	1.6	1.6	1.6
接触体孔径Φ(mm) Solder inter diameter	3.45	2.45	2.45	2.45	2	2	2

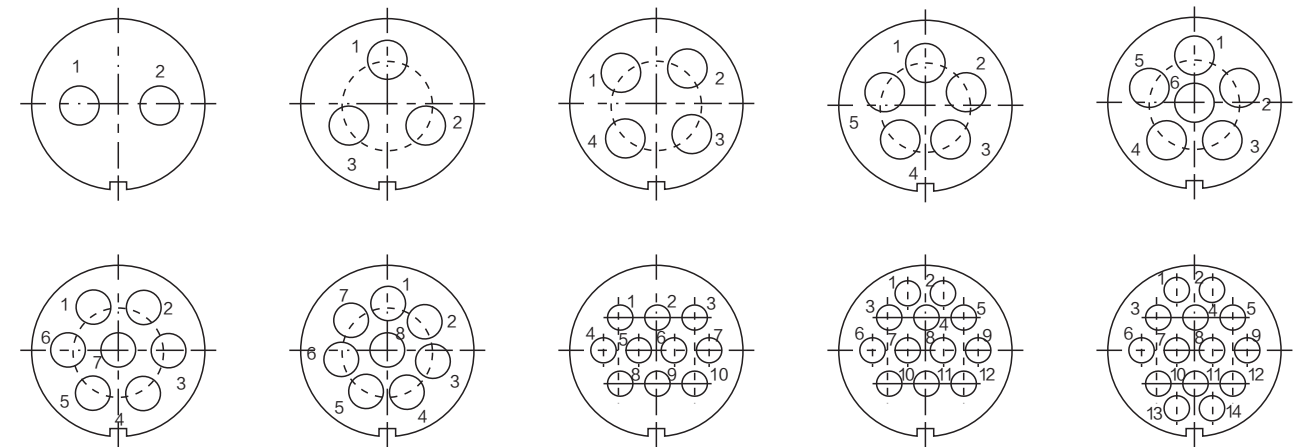
GX30

图例 description-figure	安装尺寸图 drawing	芯数 contacts	订货号 ordering-on		
 <p>电缆式插头 Plug of cable IP55</p>		2	GX30-2A		
		3	GX30-3A		
		4	GX30-4A		
		5	GX30-5A		
		6	GX30-6A		
		7	GX30-7A		
		8	GX30-8A		
		10	GX30-10A		
		12	GX30-12A		
		14	GX30-14A		
		 <p>电缆式反转插头 Cable style opposes the dress attachment plug IP55</p>		2	GX30-2K
				3	GX30-3K
				4	GX30-4K
				5	GX30-5K
6	GX30-6K				
7	GX30-7K				
8	GX30-8K				
10	GX30-10K				
12	GX30-12K				
14	GX30-14K				

GX30

图例 description-figure	安装尺寸图 drawing	芯数 contacts	订货号 ordering-on
 <p>电缆式反转插头 Cable style opposes the dress attachment plug IP55</p>		2	GX30-2A
		3	GX30-3A
		4	GX30-4A
		5	GX30-5A
		6	GX30-6A
		7	GX30-7A
		8	GX30-8A
		10	GX30-10A
		12	GX30-12A
		14	GX30-14A

The Hole Place Arranges (comply With The Needle Direction) 孔位排列 (从针的方向看)



Technology Parameter 技术参数

芯数 No.Of contacts	2P	3P	4P	5P	6P	7P	8P	10P	12P	14P
额定电流/电压 Rated current/voltage	20A-300V	20A-300V	20A-300V	15A-250V	15A-250V	15A-250V	10A-150V	7A-150V	7A-150V	7A-150V
工作电压 (AC.V)分钟 Operation limit voltage(AC.V.rms)	500	500	500	400	400	400	250	200	200	200
耐电压 (AC.V)分钟 Withstanding voltage(AC.V.rms) 1 minute	2000	2000	2000	1500	1500	1500	1500	1500	1500	1500
绝缘阻搞(MΩ)dc 500V Insulation resistance(MΩ) at dc 500v	2000	2000	2000	2000	2000	2000	2000	2000	2000	2000
接触阻抗(MΩ)dc 1a Contact resistance(MΩ) max.) at dc 51A	10	10	10	10	10	10	10	10	10	10
焊杯口径Φ(mm) Solder cup mouth aperture	2.4	2.4	2.4	2.4	2.4	2.4	2.4	1.6	1.6	1.6
接触体孔径Φ(mm) Solder inter diameter	3.45	3.45	3.45	3.45	3.45	3.45	3.45	2.45	2.45	2.45