

1

2

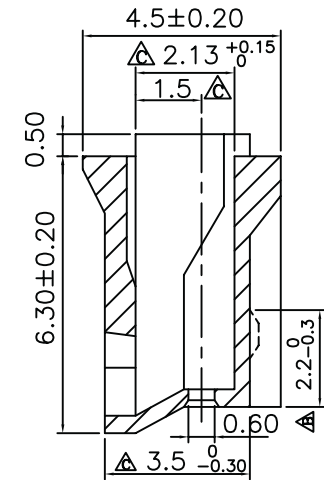
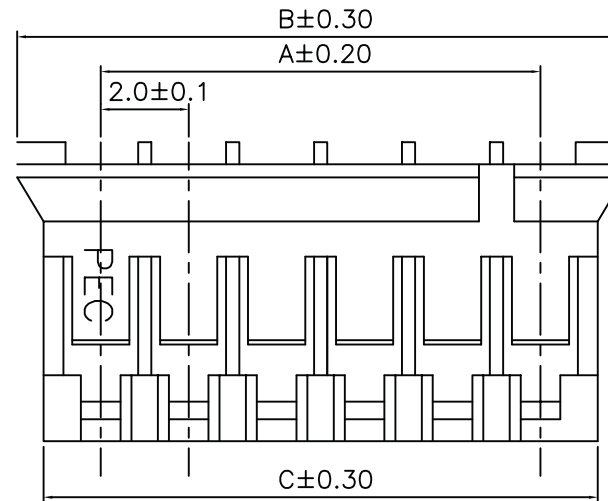
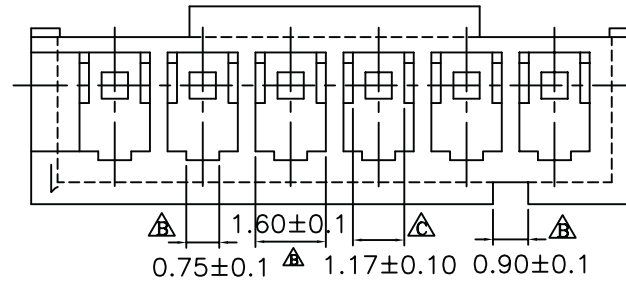
3

**HOUSING**

Poles: 2~16  
 Material: Nylon 66, UL94V-0 Natural

**SPECIFICATIONS**

Voltage rating: AC 250V DC  
 Current rating: AC,DC,2A  
 Withstand voltage: AC 800 V/min.  
 Insulation resistance: 1000 mΩ min.  
 Temperature range: -25°C~+85°C  
 Applicable PC board thickness: 0.8~1.6mm  
 Contact resistance: Initial value/10 mΩ max.  
 After environmental Testing/20 mΩ max.



Poles	Part No.	Dimension in.(mm)			Material
		A	B	C	
2	2001-H-2	0.079( 2.0)	0.228( 5.8)	0.181( 4.6)	Nylon 66 UL94V-0 Natural
3	2001-H-3	0.157( 4.0)	0.307( 7.8)	0.260( 6.6)	
4	2001-H-4	0.236( 6.0)	0.386( 9.8)	0.339( 8.6)	
5	2001-H-5	0.315( 8.0)	0.465(11.8)	0.417(10.6)	
6	2001-H-6	0.394(10.0)	0.543(13.8)	0.496(12.6)	
7	2001-H-7	0.472(12.0)	0.622(15.8)	0.575(14.6)	
8	2001-H-8	0.551(14.0)	0.701(17.8)	0.654(16.6)	
9	2001-H-9	0.630(16.0)	0.780(19.8)	0.732(18.6)	
10	2001-H-10	0.709(18.0)	0.858(21.8)	0.811(20.6)	
11	2001-H-11	0.787(20.0)	0.937(23.8)	0.890(22.6)	
12	2001-H-12	0.886(22.0)	1.016(25.8)	0.969(24.6)	
13	2001-H-13	0.945(24.0)	1.094(27.8)	1.047(26.6)	
14	2001-H-14	1.024(26.0)	1.173(29.8)	1.126(28.6)	
15	2001-H-15	1.102(28.0)	1.252(31.8)	1.205(30.6)	
16	2001-H-16	1.181(30.0)	1.331(33.8)	1.284(32.6)	

E				DRAWN:	GENERAL TOLERANCE:		
D							
C				CHECKED:	UNIT:		SIZE
B					SCALE:		A4
A			JECSON		SHEET:	DESCRIPTION:	
REV	Date	FILE	BY	PROJECTION:	PART NO:	F29-xxP	

A

B

C

D