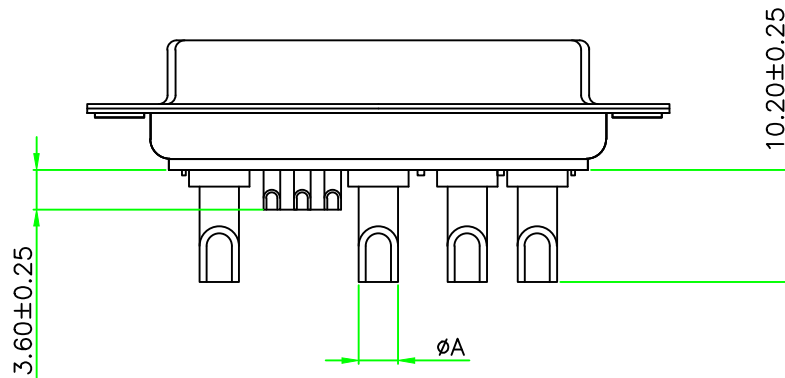
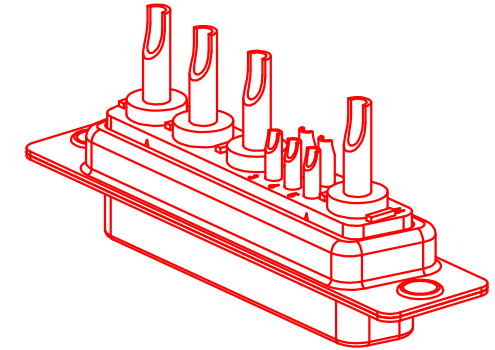
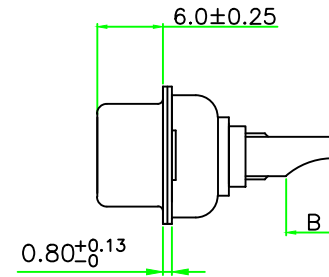
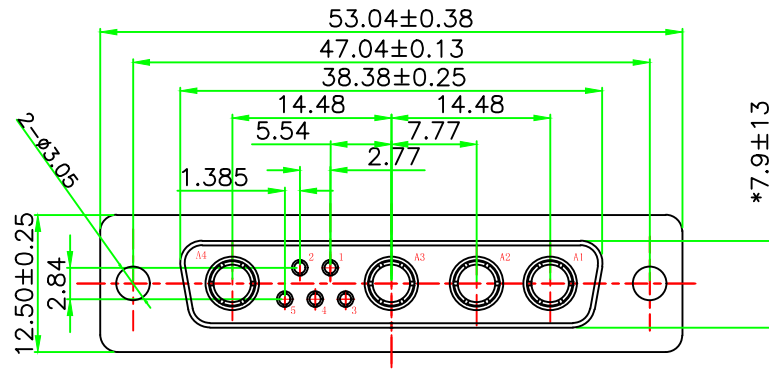


"*" Pivot Dimension

RoHS Component

PO(X)	A	B	WIRE	CURRENT RATING (A)
1	2.5	4.5	12#	10
2	3.6	5.0	10#	20
3	4.4	5.5	8#	30
4	5.5	5.5	6#	40



MATERIALS AND FINISH

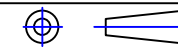
SHELL: STEEL OR COPPER ALLOY MATERIAL, Tin/Ni OR Au FINISHED.
 CONNECTOR INSULATOR: PBT THERMOPLASTIC, 30% GLASS FILLED, UL 94V-0 RATED.
 HIGH POWER CONTACT: COPPER ALLOY MATERIAL, GOLD PLATED.
 CONNECTOR WITH SIGNAL CONTACT MATERIAL: COPPER ALLOY, GOLD PLATED.

ELECTRICAL CHARACTERISTICS

HIGH POWER CONTACT CURRENT RATING: 10, 20, 30 OR 40 AMPS.
 CONNECTOR WITH SIGNAL CONTACT CURRENT RATING: 5.0 AMPS.
 THE WORKING VOLTAGE: 300V.
 HIGH POWER CONTACT RESISTANCE: 2.7 MILLIOHMS MAX.
 DIELECTRIC WITHSTANDING VOLTAGE: 1000 V AC FOR 1 MINUTE.
 INSULATION RESISTANCE: 2000 MEGAOHMS MIN.
 TEMPERATURE RATING: -55° ~ +125° .

TOLERANCE:

X ±0.38
 X.X ±0.25
 X.XX ±0.13
 X.° ±3° X.X° ±1°



UNIT: mm [inch]

SCALE: 1:1 SIZE: A4

DRAWN BY :

DATE :

2009.09.11

PART NAME:

9W4 母 电流焊线式传统铆合

CHECKED BY:

DATE :

2009.09.12

DRAW NO.

PART NO.

APPROVED BY:

DATE :

2010.01.30

REMARK

MOLD NO.