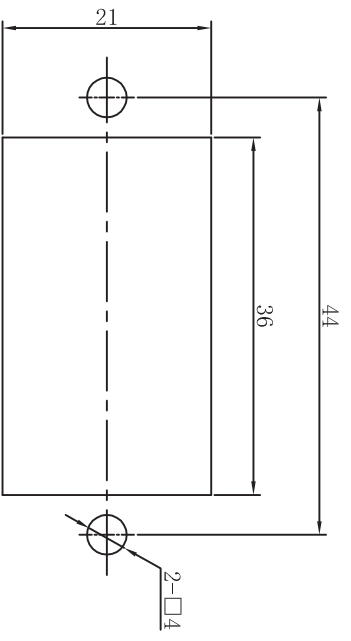
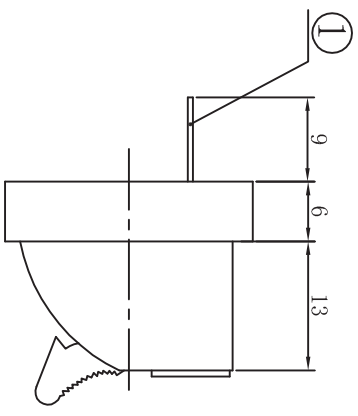
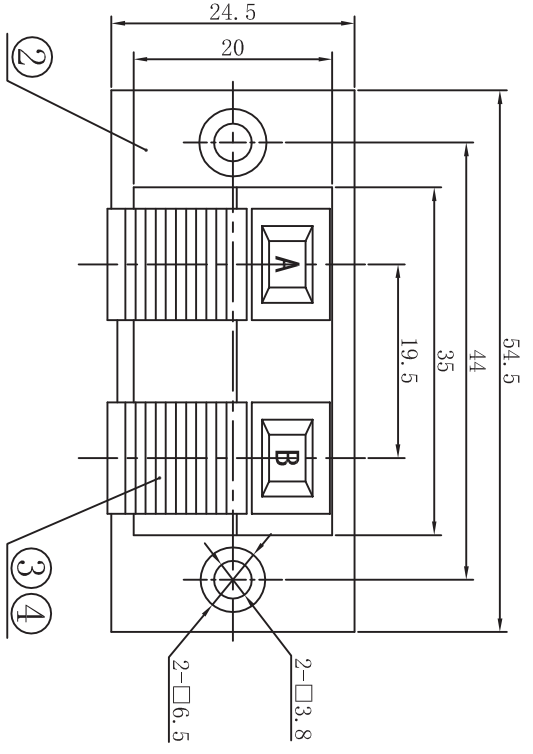


COLOR TYPE	
红R: RED	白W: WHITE
黑B: BLACK	黄Y: YELLOW
灰G: GREY	蓝BL: BLUE
绿GR: GREEN	棕BR: BROWN
紫PU: PURPLE	粉RP: PINK
橙O: ORANGE	
品字	品号
010	A R B
020	R R R
030	B B B
040	R R B



### PCB Holes Diagram

\*环保\*  
\*Green Product\*

REVISIONS	EXCHANGE DESCRIPTION	DATE	REVISED	APVD	UNLESS TOLERANCE
△ X					Angle ±5°
△ X					63 < L ±0.5
△ X					16 < L ≤ 63 ±0.4
△ X					4 < L ≤ 16 ±0.3
△ X					L ≤ 4 ±0.2

NO.	PART NAME	TER. NO.	QTY	MATERIAL	REMARK
4	PUSH		2	ABS 757	See Color Type
3	SPRING		2	STIBL WHITE □0.6	Black
2	HOUSING		1	ABS 757	Black
1	TERMINAL		2	H62Y ±0.5	Cast-plated

DSND	H. S. S	DATE	2008. 11. 22	SCAL: 1:1	NAME: PST JACK
CHKD	H. L. Q	DATE	2008. 11. 22	VIEW:	CMT. NO: 3098
APVD	H. L. Q	DATE	2008. 11. 22	UNIT: mm	DWG. NO: 9/03-06-4011-05T-210-A-XX
					REVISED
					B/0