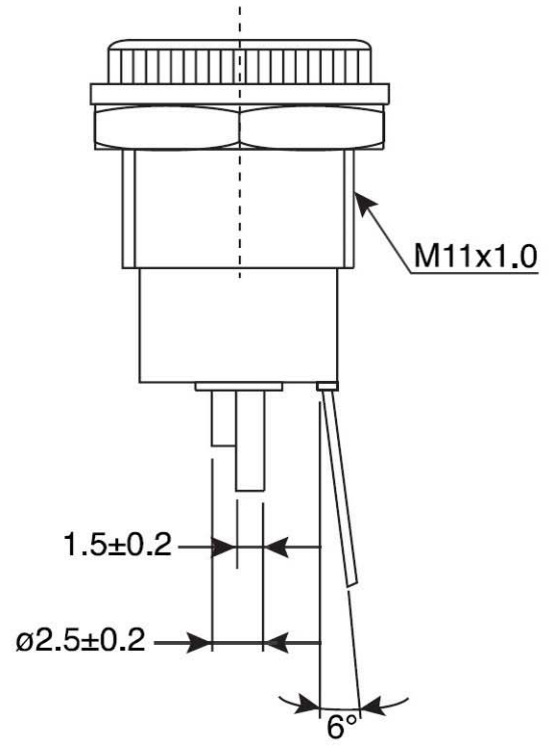
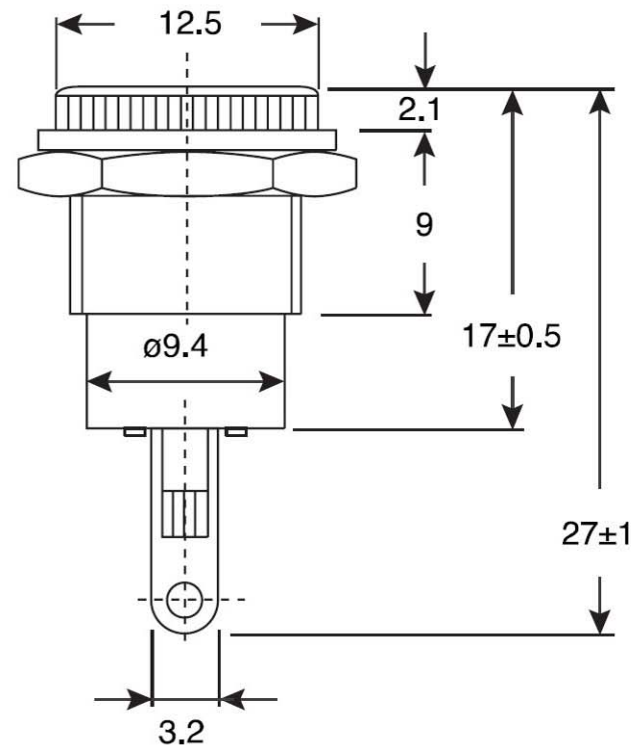
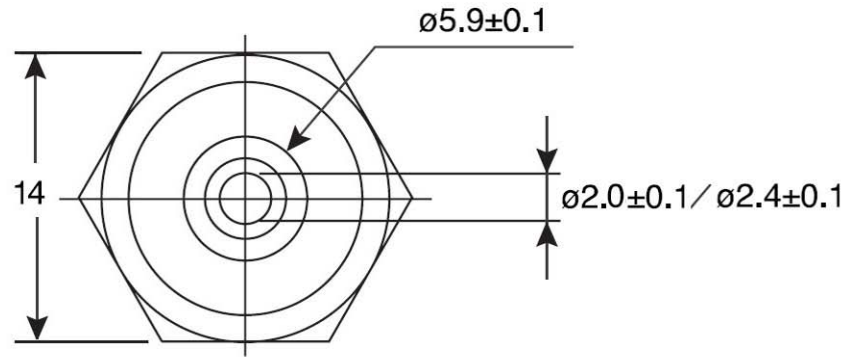


REVNO	REVISION NOTE	DATE	SIGNATURE	CHECKED
A/0	RELEASED		JACK	Lloyd



**Electrical**  
**Voltage:** 50V AC(RMS)/DC  
**Current:** 3 A AC(RMS)/DC  
**Contact Resistance:** 50m  $\Omega$  max  
**Insulation Resistance:** 500M  $\Omega$  min  
**Dielectric Withstanding**  
**Voltage:** 150VAC/RMS  
**Operating Temp:** -20°C ~ +85°C  
**Materials**  
**Housing:** High temperature Plastic  
**Terminal:** Copper Alloy

ITEMREF	QUANTITY:	SEE NOTES	PART_NUMBER: DC099		
DESIGNED	CHECKED	APPROVED	UNIT	SCALE	
			mm	1:1	
<b>DC POWER JACK (DC099)</b>					
DRAWING_NUMBER			EDITION	SHEET	
			A/1	1/1	