

# ◎引腳分配

## RS-232C

DB9 (Female)	1	2	3	4	5	6	7	8	9
RS232C	DCD	RXD	TXD	DTR	GND	DSR	RTS	CTS	RI

## RS485

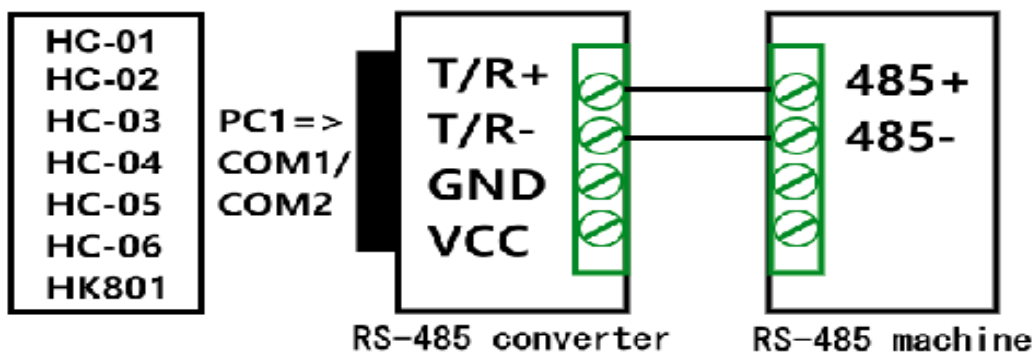
DB9 (Male)	1	2	3	4	5	6
RS-485	T/R+	T/R-			GND	VCC

## RS422

DB9 (Male)	1	2	3	4	5	6
RS-422	T/R+	T/R-	RXD+	RXD-	GND	VCC

# ◎連接示意圖

## RS-485點對點/兩線半雙工



## RS-422點對多點/四線全雙工

