

ARK Series

Features

- 10A switching capability (2C,3C, type)
- Long life (Min. 100,000 electrical operations)
- Industry standard 8 or 11 round terminals
- Sockets available



▶ CONTACT DATA

| | |
|--------------------------|-------------------------|
| Contact arrangement | 2C, 3C |
| Contact Resistance | $\leq 50m\Omega$ |
| Contact material | Ag alloy |
| Contact rating(Res.load) | 10A 28VDC 10A 240VAC |
| Max.switching power | DC:280W AC:2400VA |
| Max.switching voltage | 30VDC/286VAC |
| Max.switching current | 10A |
| Mechanical endurance | 1×10^7 OPS |
| Electrical endurance | 1×10^5 OPS |

▶ CHARACTERISTICS

| | | |
|----------------------------|----------------------------|-------------------------------------|
| Insulation resistance | $\geq 500M\Omega$ (500VDC) | |
| Dielectric strenght | Between coil & contacts | 1500VAC 1 min(Leakage current 1min) |
| | Between open contacts | 1000VAC 1min(Leakage current 1min) |
| Operate time(at nomi.volt) | 30ms max. | |
| Release time(at nomi.volt) | 30ms max. | |
| Shock resistance | Functional | $98m/s^2$ |
| | Destructive | $980m/s^2$ |
| Vibration resistance | 10Hz ~55Hz 1.5mm DA | |
| Humidity | 35%~85% RH | |
| Ambient temperature | -25℃ ~55℃ | |
| Termination | PCB | |
| Unit weight | Approx.100g | |
| Construction | Plug | |

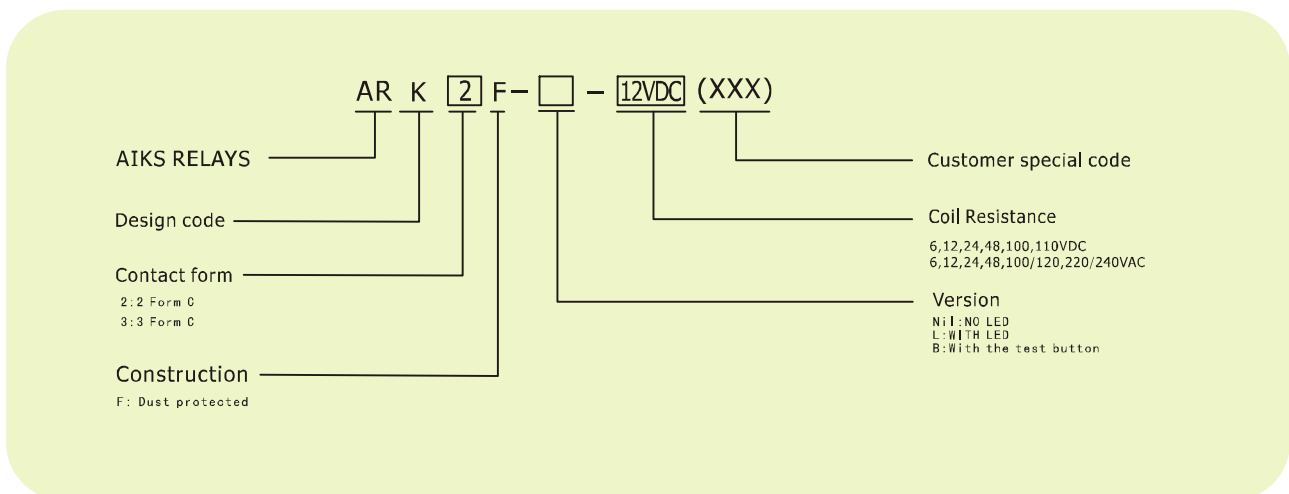
► COIL DATA

| | |
|------------|-----------------------|
| Coil power | VDC: 1.5W; VAC: 2.5VA |
|------------|-----------------------|

| Nominal Voltage VDC | Pick-up Voltage VDC | Drop-out Voltage VDC | Max.Allowable Voltage VDC at 85°C | Coil Resistance Ω |
|---------------------|---------------------|----------------------|-----------------------------------|-------------------|
| 6 | 4.80 | 0.60 | 7.20 | 23.5 × (1 ± 10%) |
| 12 | 9.60 | 1.20 | 14.4 | 95 × (1 ± 10%) |
| 24 | 19.2 | 2.40 | 28.8 | 430 × (1 ± 10%) |
| 48 | 38.4 | 4.80 | 57.6 | 1630 × (1 ± 10%) |
| 100 | 80.0 | 10.0 | 120 | 6800 × (1 ± 10%) |
| 110 | 88.0 | 11.0 | 132 | 7300 × (1 ± 10%) |

| Nominal Voltage VDC | Pick-up Voltage VDC | Drop-out Voltage VDC | Max.Allowable Voltage VDC at 85°C | Coil Resistance Ω |
|---------------------|---------------------|----------------------|-----------------------------------|-------------------|
| 6 | 4.80 | 1.80 | 7.20 | 3.9 × (1 ± 10%) |
| 12 | 9.60 | 3.60 | 14.4 | 16.9 × (1 ± 10%) |
| 24 | 19.2 | 7.20 | 28.8 | 70 × (1 ± 10%) |
| 48 | 38.4 | 14.4 | 57.6 | 315 × (1 ± 10%) |
| 110/120 | 88.0 | 36.0 | 132 | 1600 × (1 ± 10%) |
| 220/240 | 176 | 72.0 | 264 | 6800 × (1 ± 10%) |

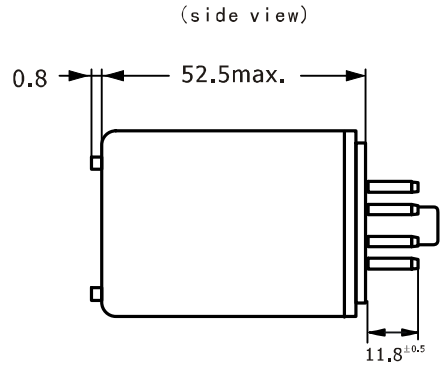
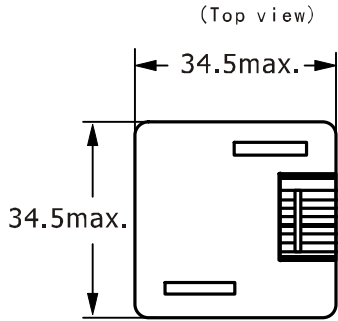
► MODEL DESCRIPTION



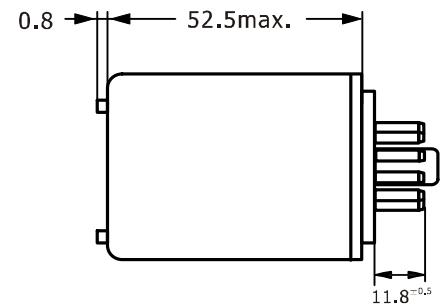
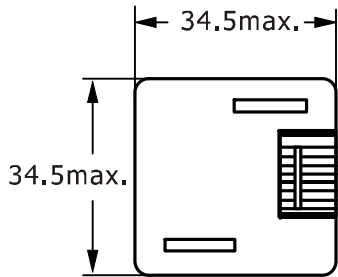
▶ OUTLINE DIMENSIONS, WIRING DIAGRAM AND PC BOARD LAYOUT Unit: mm

Outline Dimensions

ARK2F

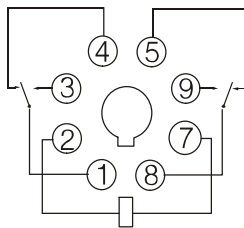


ARK3F

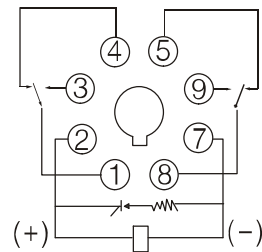


Wiring Diagram

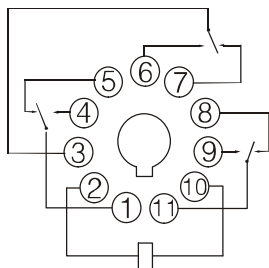
ARK2F



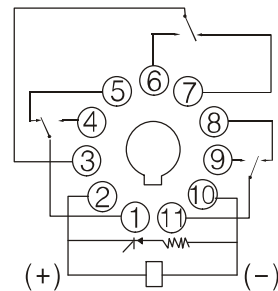
ARK2F-L



ARK3F

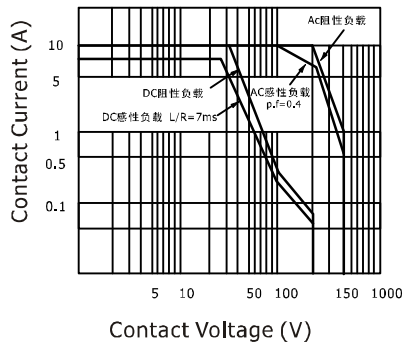


ARK3F-L



► Characteristic curves

MAXIMUM SWITCHING POWER



ENDURANCE CURVE

