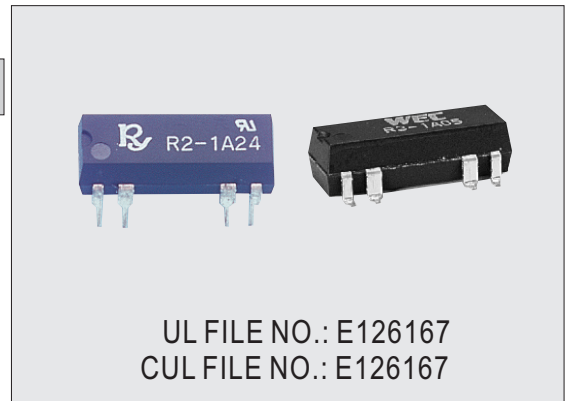


R2/R3 SERIES

FEATURES

- DIP and SMD type
- Diode version are available for customer's selection
- UL approved
- Using at security system, modem and other telecommunication products



ORDERING INFORMATION

R2 — D 1A 05
1 2 3 4

- | | |
|---|--|
| <p>1. Type
R2 : DIP Type
R3 : SMD Type</p> <p>2. Function
Nil : Standard Type
D : With Diode Type
H : High Insulation</p> | <p>3. Contact Arrangement
1A : 1 Form A(SPST-NO)
1B : 1 Form B(SPSTNC)
1C : 1 Form C(SPDT)
2A : 2 Form A(2PST-NO)</p> <p>4. Coil Nominal Voltage</p> |
|---|--|

CONTACT RATING

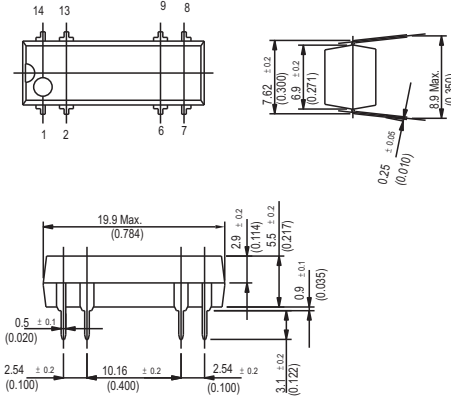
1PST-NO / 1PST-NC 1PDT / 2PST-NO	Switch Current	0.5A
	Carry Current	1.0A

COIL DATA

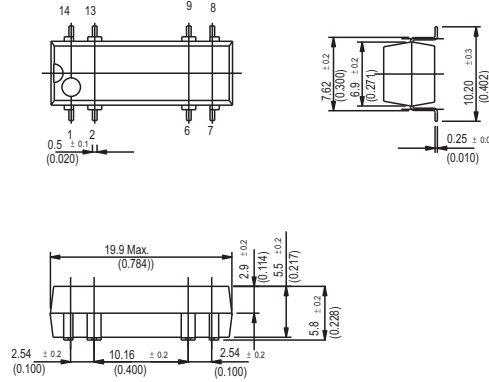
Coil Nominal Voltage (VDC)	Maximum Operate Voltage(V)	Resistance Tol.±10% (Ohms)	Maximum Pick Up Voltage(V)	Minimum Drop Out Voltage (V)	Nominal Input Power (mW)
5	16	500	3.75	0.8	50
12	20	1,000	9.0	1.0	144
24	32	2,150	18.0	2.0	268

DIMENSIONS:mm(inch)

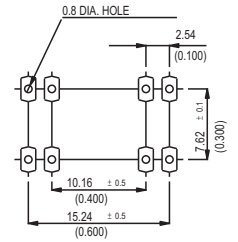
DIP TYPE



SMD TYPE



P.C.B. LAYOUT (Top View) DIP TYPE



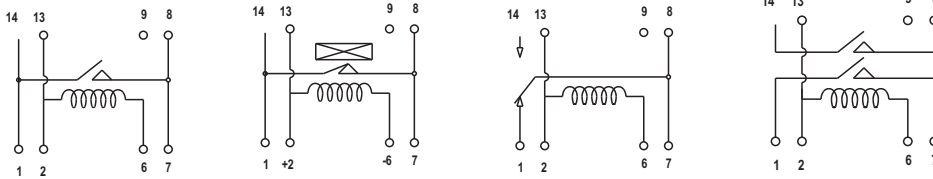
WRING DIAGRAM (Top View)

(1A)

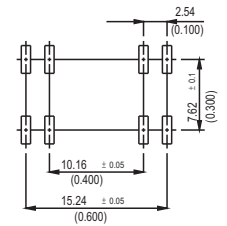
(1B)

(1C)

(2A)



SMD TYPE



GENERAL DATA

Insulation Resistance	1,000 MΩ Min. (DC 100V)
Dielectric Strength	250 VDC between contact.
	1,400 VDC between all elements.
Contact Material	Silver- Cadmium Oxide as standard.
Contact Resistance	150 milliohms max. (initial value)
Switching Current	1A, 2A, 1B : 0.5ADC Max., 1C : 0.2ADC Max.
Carry Current	1A, 2A, 1B : 1.0ADC Max., 1C : 0.5ADC Max.
Switching Power	1A, 2A, 1B : 10VA Max. 1C : 3VA Max.
Operation Time	1 ms max.
Release Time	0.5 ms max.
Temperature Range	- 40°C ~ + 85°C
Expected Life	With operation rate 30/min.
	Mechanical - 10,000,000 operations min. Electrical - 100,000 operations min. at rated load.
Weight	1.4 grams