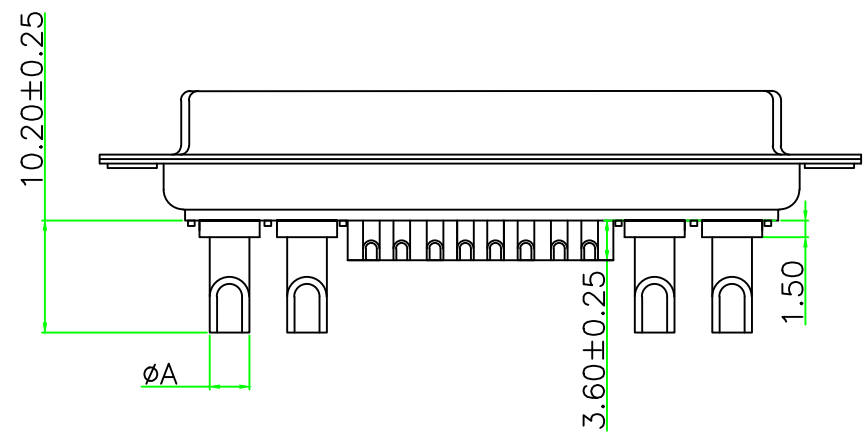
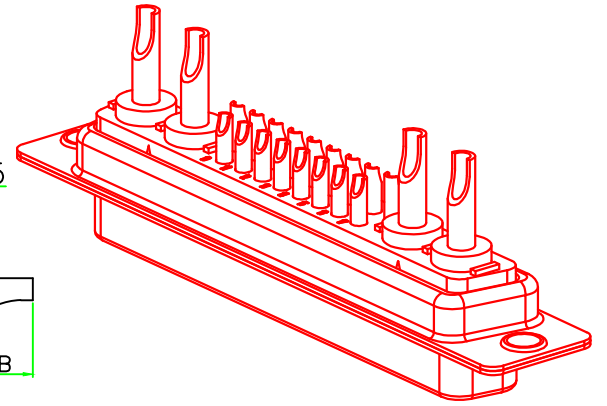
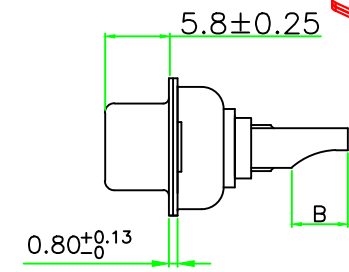
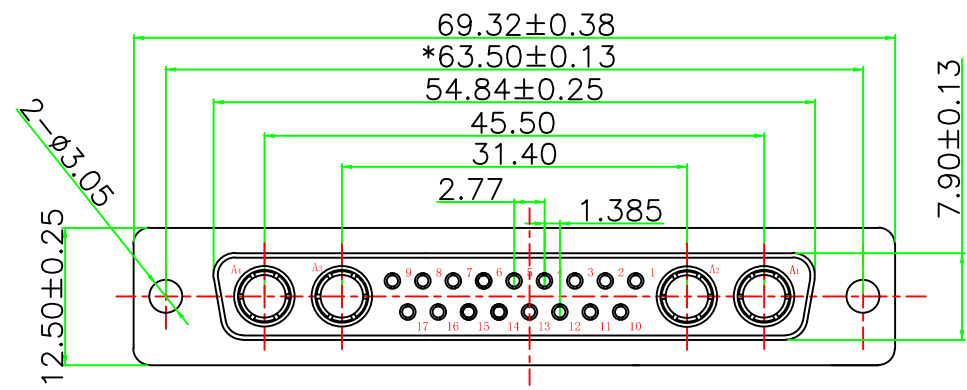



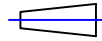
“\*” Pivot Dimension

RoHS Component

PO(X)	A	B	WIRE	CURRENT RATING (A)
1	2.5	4.5	12#	10
2	3.6	5.0	10#	20
3	4.4	5.5	8#	30
4	5.5	5.5	6#	40



**MATERIALS AND FINISH**  
 SHELL: STEEL OR COPPER ALLOY MATERIAL, Tin/Ni OR Au FINISHED.  
 CONNECTOR INSULATOR: PBT THERMOPLASTIC, 30% GLASS FILLED, UL 94V-0 RATED.  
 HIGH POWER CONTACT : COPPER ALLOY MATERIAL, GOLD PLATED.  
 CONNECTOR WITH SIGNAL CONTACT MATERIAL: COPPER ALLOY , GOLD PLATED.  
**ELECTRICAL CHARACTERISTICS**  
 HIGH POWER CONTACT CURRENT RATING: 10, 20, 30 OR 40 AMPS.  
 CONNECTOR WITH SIGNAL CONTACT CURRENT RATING : 5.0 AMPS.  
 THE WORKING VOLTAGE: 300V.  
 HIGH POWER CONTACT RESISTANCE: 2.7 MILLIOHMS MAX.  
 DIELECTRIC WITHSTANDING VOLTAGE: 1000 V AC FOR 1 MINUTE.  
 INSULATION RESISTANCE: 2000 MEGAOHMS MIN.  
 TEMPERATURE RATING: -55° ~ +125° .

<b>TOLERANCE:</b> X. ±0.38 X.X ±0.25 X.XX ±0.13 X° ±3° X.X° ±1°   UNIT: mm [inch] SCALE: 1:1 SIZE: A4	<b>DRAWN BY :</b>	<b>DATE :</b> 2009.09.11	<b>PART NAME:</b> 21W4 母 电流焊线式传统铆合	
	<b>CHECKED BY:</b>	<b>DATE :</b> 2009.09.12	<b>DRAW NO.</b>	
	<b>APPROVED BY:</b>	<b>DATE :</b> 2010.01.30	<b>REMARK</b>	
			<b>MOLD NO.</b>	