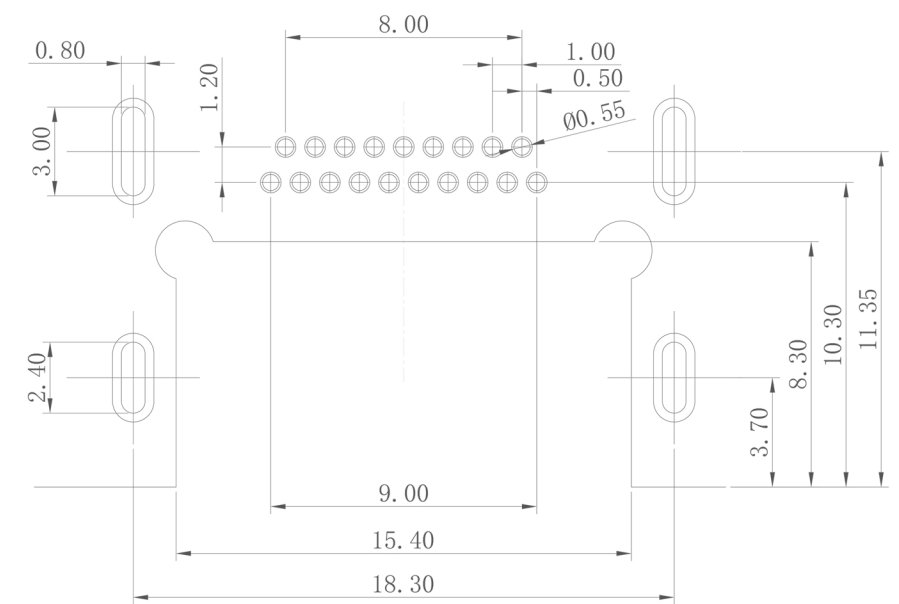
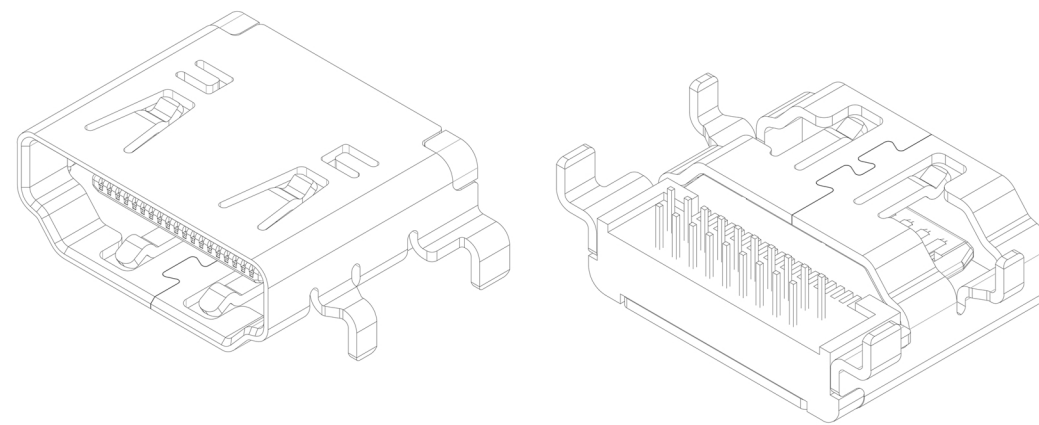
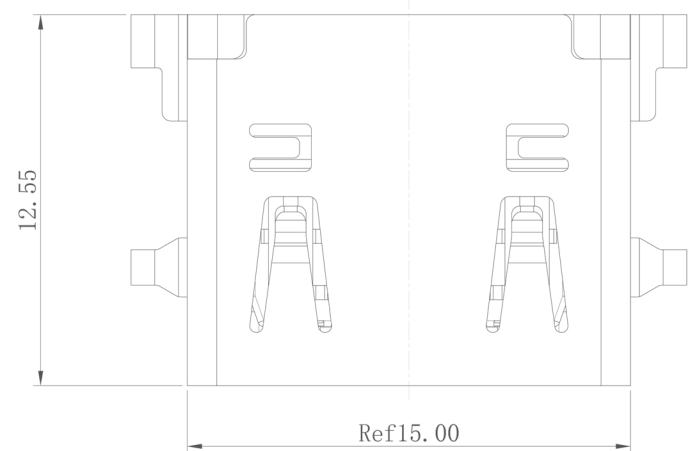
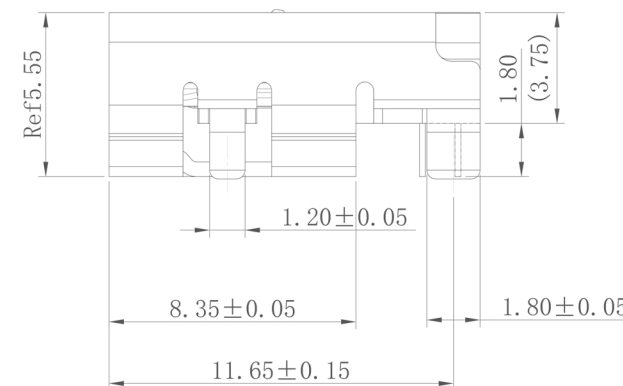
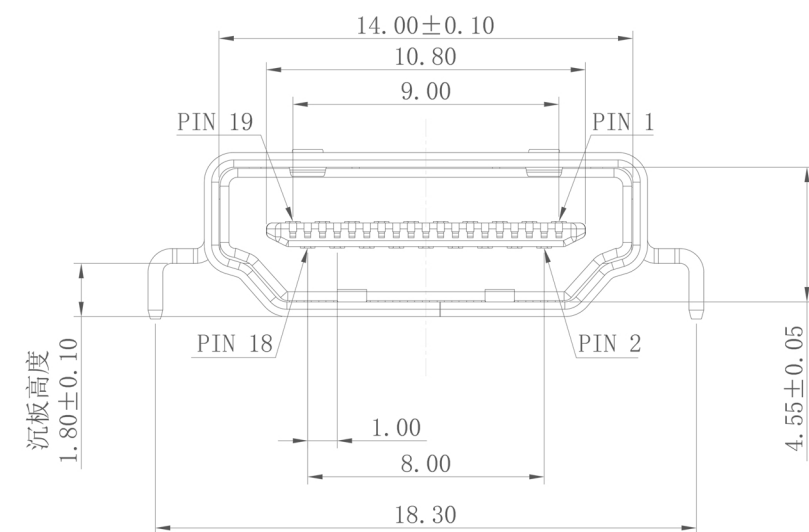


REV.	DESCRIPTION	NAME	DATE
A	NEWS ISSUE	LXH	2018/09/28



RECOMMEND P. C. B LAYOUT (COMPONENT SIDE)

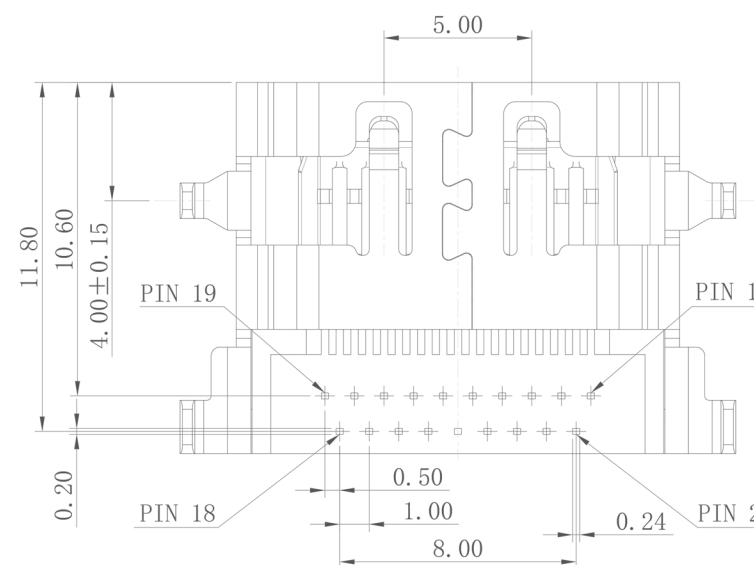
TOLERANCE FOR PCB LAYOUT IS ± 0.05



Notes:

1. materials:

- a. housing: Thermoplastic (UL94V-0)
 - b. terminal: Copper alloy. Gold plated on contact area.
 - c. Shell: Copper ally, Nickel plated overall.
2. Specification
- a. Current rating: 0.5A, MAX
 - b. Dielectric withstanding voltage;
 - c. Insulation resistance: 100M Ω Min (unmated) At 500V DC.
 - d. Contact resistance: 30M Ω Max.
 - e. Operating temperature: -25 $^{\circ}$ C to +85 $^{\circ}$ C.



PIN	Signal Assignment	PIN	Signal Assignment
1	TMDS Data2+	2	TMDS Data2 Shield
3	TMDS Data2-	4	TMDS Data1+
5	TMDS Data1 Shield	6	TMDS Data1-
7	TMDS Data0+	8	TMDS Data0 Shield
9	TMDS Data0-	10	TMDS Clock+
11	TMDS Clock Shield	12	TMDS Clock-
13	CEC	14	Utility
15	SCL	16	SDA
17	DDC/CEC Ground	18	+5V Power
19	Hot Plug Detect		

TOLERANCE UNSPECIFIED	
.0	± 0.35
.00	± 0.25
.000	± 0.15
X.°	$\pm 2.00^{\circ}$

CUSTOMER DRAWING

TITLE: 产品名称-1
产品名称-2 HDMI沉板正向3.75MM

DRAWN/ DATE	设计	设计日期	SIZE: A4	UNIT: MM.	PART. NO: 料号
CHECKED/ DATE			SCALE: 1:1	PROJECTION	REV.: 版本
APPROVED/ DATE			DWG. PATH	图号	SHEET: 页码