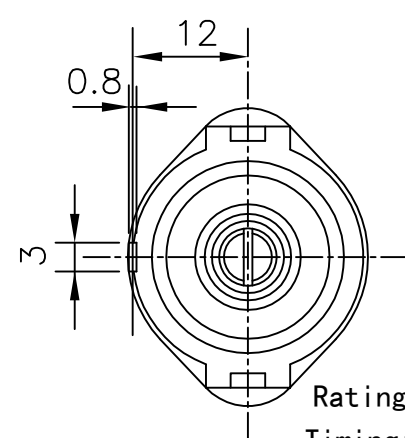
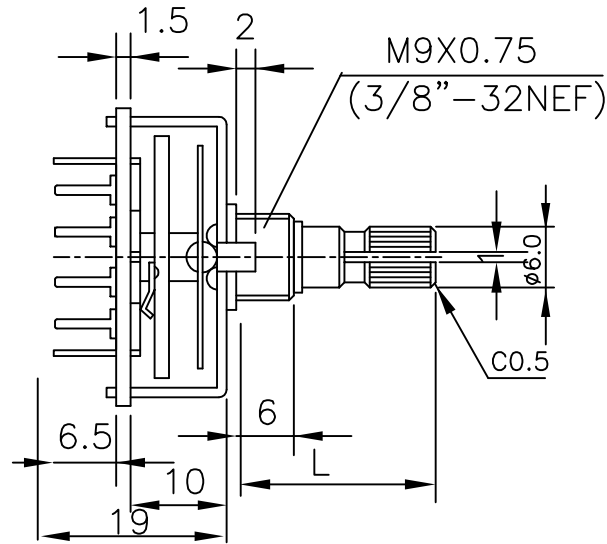
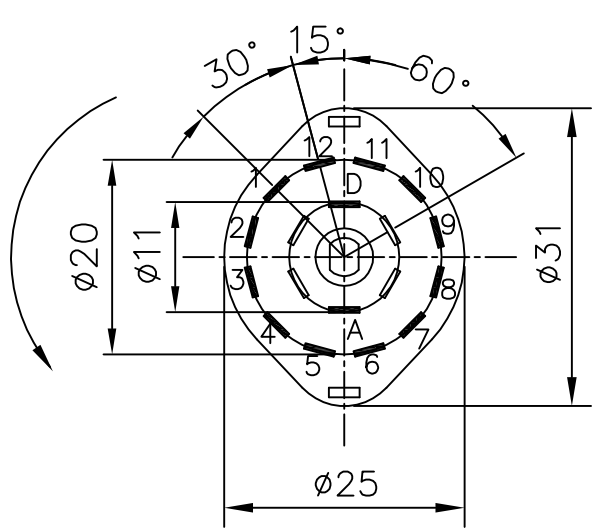
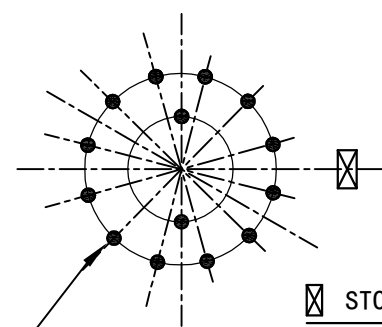


DIRECTION OF ROTATION

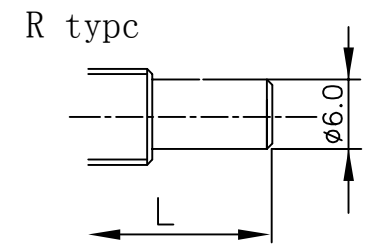
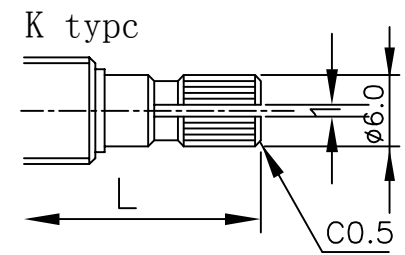
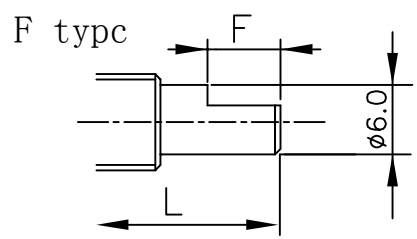


Rating: 125V AC 0.3A
Timing: Shorting or Non-Shorting



STOPPER
P. C. B MOUNTING HOLE

14- ϕ 1.4 HOLES



F轴	L	10	15	20	25	30	35	40	45	50
	F	7	7	12	12	12	12	12	12	12
K轴	L	10	15	20	25	30	35	40	45	
R轴	L	15	20	25	30	35				

ORDER NO.	SW. FUNCTION	ORDER NO.	SW. FUNCTION
RS25-1-1-2	SP 2 POS.	RS25-1-2-2	DP 2 POS.
RS25-1-1-3	SP 3 POS.	RS25-1-2-3	DP 3 POS.
RS25-1-1-4	SP 4 POS.	RS25-1-2-4	DP 4 POS.
RS25-1-1-5	SP 5 POS.	RS25-1-2-5	DP 5 POS.
RS25-1-1-6	SP 6 POS.	RS25-1-2-6	DP 6 POS.
RS25-1-1-7	SP 7 POS.	RS25-1-3-2	3P 2 POS.
RS25-1-1-8	SP 8 POS.	RS25-1-3-3	3P 3 POS.
RS25-1-1-9	SP 9 POS.	RS25-1-3-4	3P 4 POS.
RS25-1-1-10	SP 10 POS.	RS25-1-4-2	4P 2 POS.
RS25-1-1-11	SP 11 POS.	RS25-1-4-3	4P 3 POS.
RS25-1-1-12	SP 12 POS.	RS25-1-6-2	6P 2 POS.

未指定容许公差尺寸

less than	10	± 0.3
above	10 ~ 30	± 0.5
above	30 ~ 100	± 1.0
above		$\pm 5^\circ$

			機種	RS25-1-2-6-XXK-P			
			單位	比例	核准	校對	制图
			mm				
日期	更改記事						