

# HOUSING

Poles: 2-16

Material: Nylon 66, UL94V-0

## ELECTRICAL:

CURRENT RATING: 7.0A AC DC.

VOTAGE RATING: 250V AC DC.

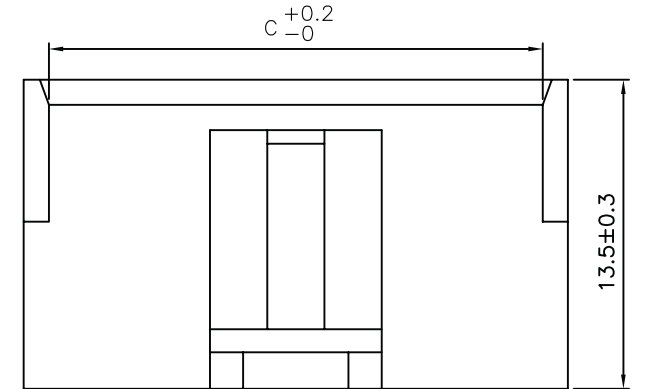
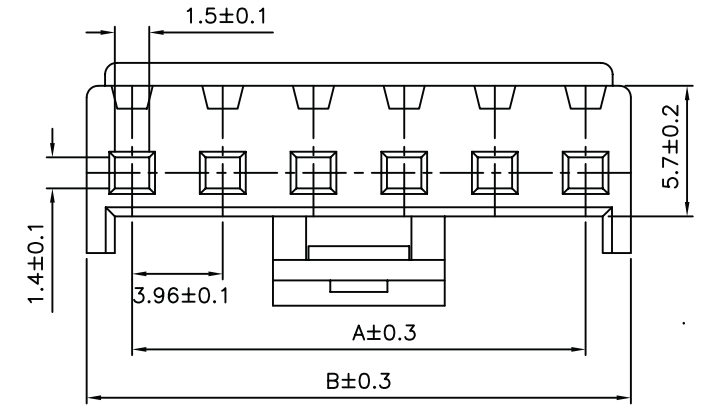
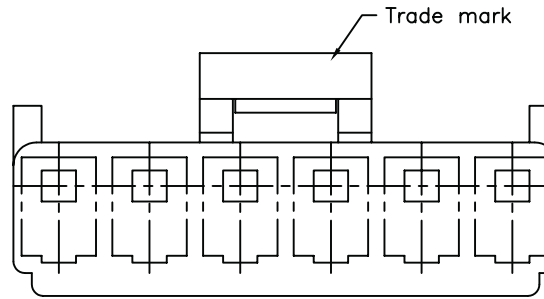
TEMPERATURE RANGE: -25°C~+85°C.

CONTACT RESISTANCE: 20m Ohm Max.

INSULATION RESISTANCE: 1000 M Ohm Min.

WITHSTANDING VOTAGE: 1500V AC/MINUTE.

APPLICABLE WIRE: AWG #22 TO #18.



Poles	Part No.	Dimension in.(mm)		
		A	B	C
2	3962-H-2	3.96	7.86	5.46
3	3962-H-3	7.92	11.82	9.42
4	3962-H-4	11.88	15.78	13.38
5	3962-H-5	15.84	19.74	17.34
6	3962-H-6	19.80	23.70	21.30
7	3962-H-7	23.76	27.66	25.26
8	3962-H-8	27.72	31.62	29.22
9	3962-H-9	31.68	35.58	33.18
10	3962-H-10	35.64	39.54	37.14
11	3962-H-11	39.60	43.50	41.10
12	3962-H-12	43.56	47.46	45.06
13	3962-H-13	47.52	51.42	49.02
14	3962-H-14	51.48	55.38	52.98
15	3962-H-15	55.44	59.34	56.94
16	3962-H-16	59.40	63.30	60.90

				DRAWN:	GENERAL TOLERANCE:		
E							
D							
C				CHECKED:	UNIT:		SIZE
B					SCALE:		A4
A			JECSON		SHEET:	DESCRIPTION:	
REV	Date	FILE	BY	PROJECTION:	PART NO:	F22-xxP	