

1

2

3

4

5

WAFER

Poles: 2-16

Material: Post: Bass, Tin/Plated

Base: Nvlon 66, UL94V-0

ELECTRICAL:

CURRENT RATING: 7.0A AC DC.

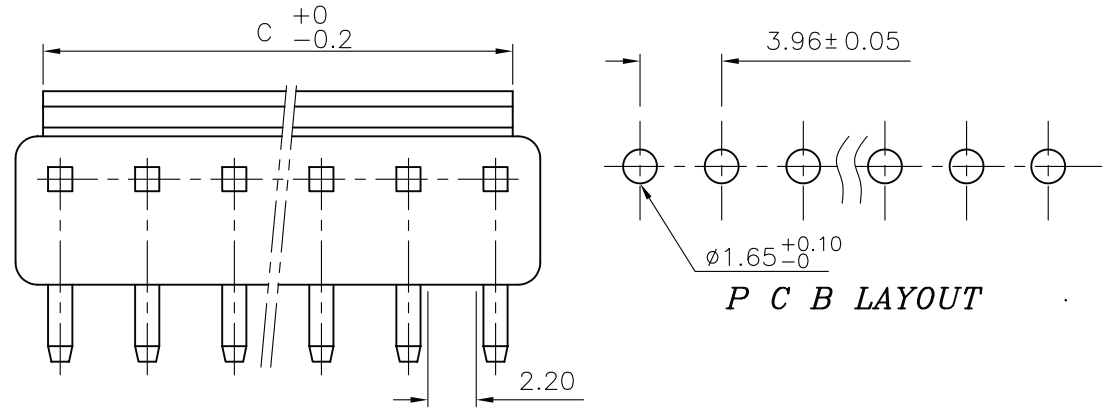
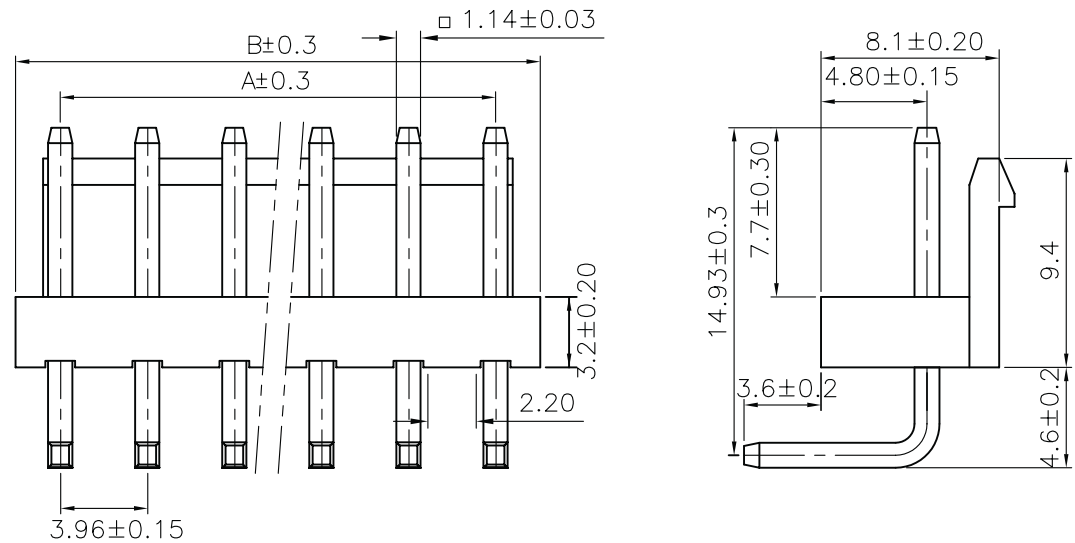
VOTAGE RATING: 250V AC DC.

TEMPERATURE RANGE: -25°C~+85°C.

CONTACT RESISTANCE: 20m Ohm Max.

INSULATION RESISTANCE: 1000 M Ohm Min.

WITHSTANDING VOTAGE: 1500V AC/MINUTE.

**P C B LAYOUT**

Poles	Part No.	Dimension in.(mm)		
		A	B	C
2	3962-WR-02-LF	3.96	7.86	5.36
3	3962-WR-03-LF	7.92	11.82	9.32
4	3962-WR-04-LF	11.88	15.78	13.28
5	3962-WR-05-LF	15.84	19.74	17.24
6	3962-WR-06-LF	19.80	23.70	21.20
7	3962-WR-07-LF	23.76	27.66	25.16
8	3962-WR-08-LF	27.72	31.62	29.12
9	3962-WR-09-LF	31.68	35.58	33.08
10	3962-WR-10-LF	35.64	39.54	37.04
11	3962-WR-11-LF	39.60	43.50	41.00
12	3962-WR-12-LF	43.56	47.46	44.96
13	3962-WR-13-LF	47.52	51.42	48.92
14	3962-WR-14-LF	51.48	55.38	52.88
15	3962-WR-15-LF	55.44	59.34	56.84
16	3962-WR-16-LF	59.40	63.30	60.80

DRAWN:

GENERAL TOLERANCE:

E

D

C

B

A

JECSON

CHECKED:

UNIT:

SCALE:

SHEET:

PROJECTION:

DESCRIPTION:

PART NO: F21-xxP

SIZE

A4

REV

Date

FILE

BY

D

C

B

A