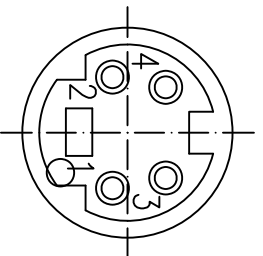
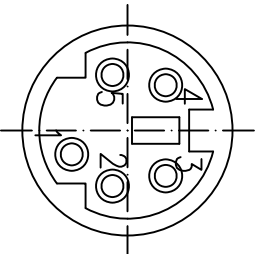


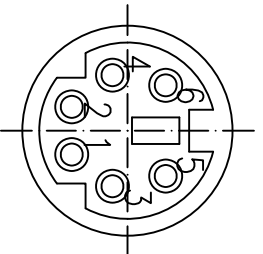
3



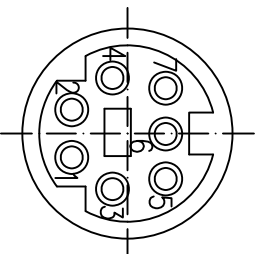
4



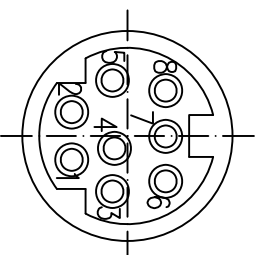
5



6



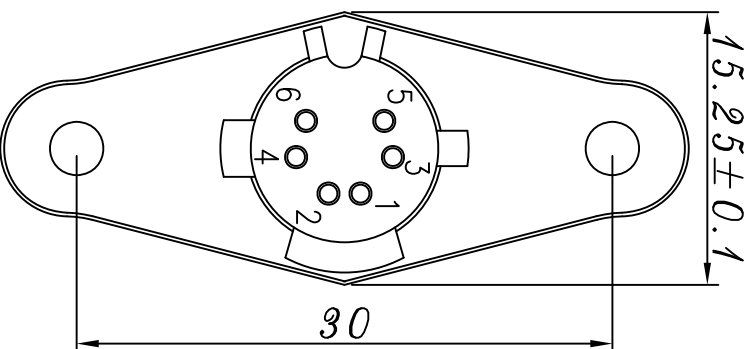
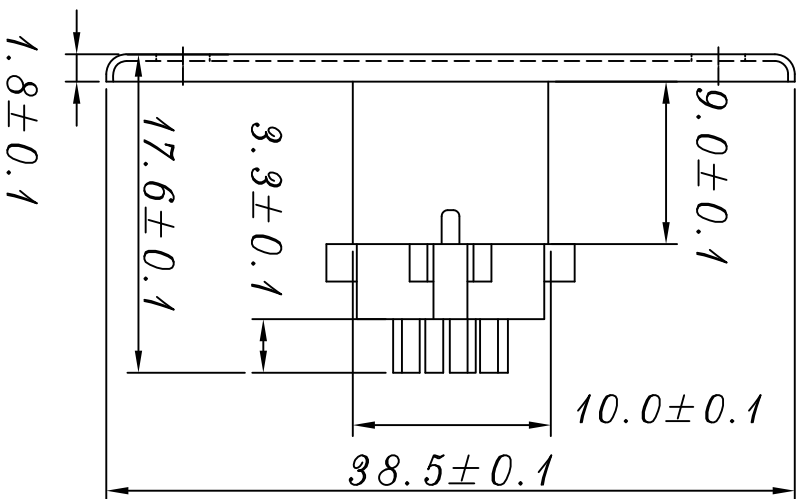
7



8

$\phi 3.05 \pm 0.05$

$\phi 10.0 \pm 0.1$



MATERIALS:

HOUSING: NY6+FB (PA-1010C2)

METAL SHELL: IRON PLATE/NICKEL PLATED

CONTACTS: PHOSPHOR BRANZESILVER PLATED

SPECIFICATIONS:

1. RATION: 100V AC 1A MAX or 12V DC 2A MAX.
2. INSULATION RESISTANCE: 50M OHM MIN at 250V DC.
3. DIELECTRIC STRENGTH: 250 V AC / 1 MINUTE.
4. CONTACT RESISTANCE: 30M OHM MAX.
5. INSERTION FORCE: 4.5KG MAX.
6. WITHDRAWAL FORCE: 0.9KG ~ 3KG.

TOLERANCES		PART NUMBER	
.X ± 0.1	.XXX ±	2007 SERIES	
.XX ± 0.2	ANGLES		
SCALE		DESCRIPTION	
mm		MINI DIN SOCKET METAL PANEL MT	
DRAFT W.RAY 111710'		REV.	
CHECK JANNE HUNG		Ø	
APPROVAL DANNY HSU		SHEET 1 / 1	